

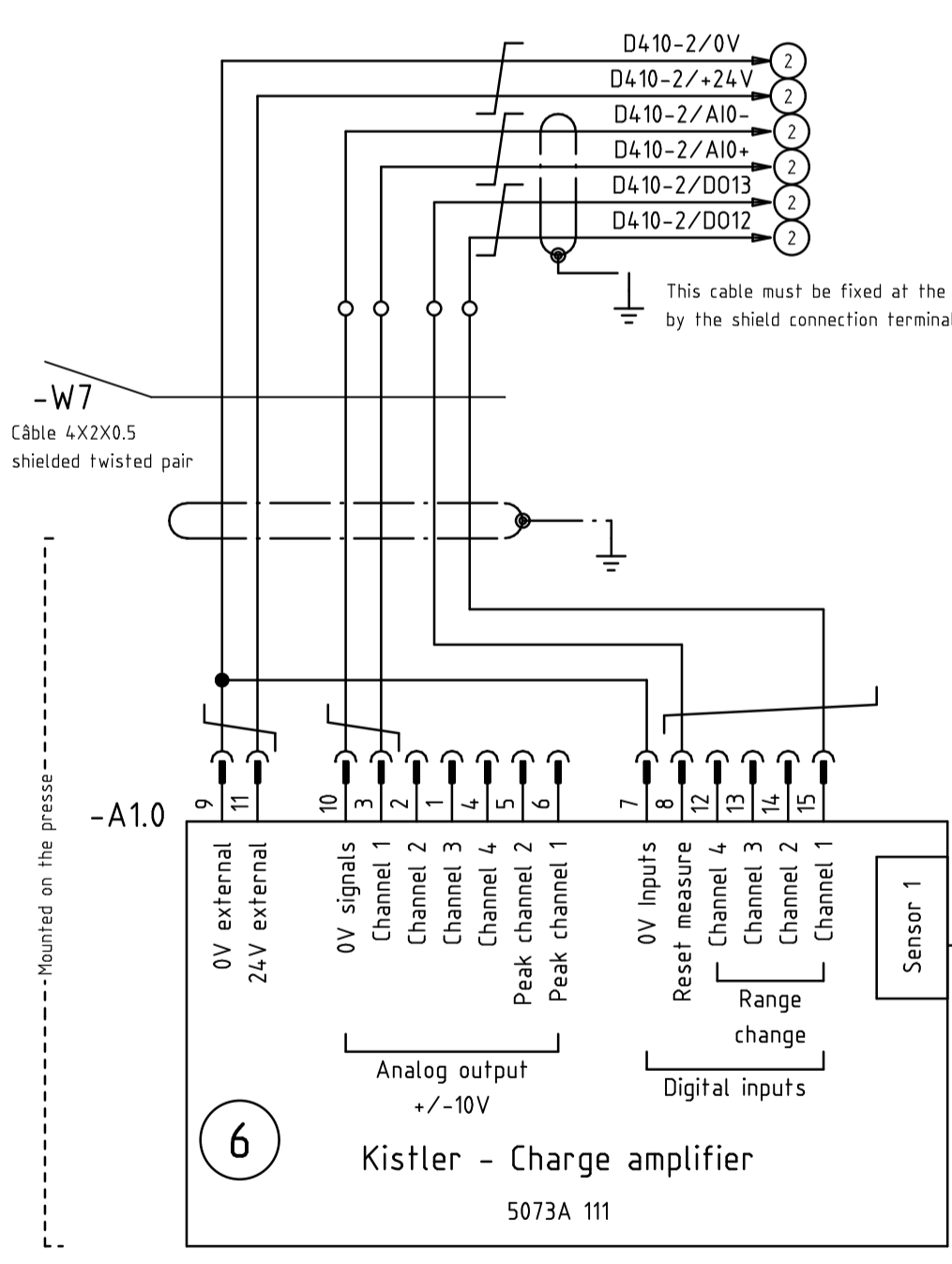
Section of wires 24V: 0,5²

- Cables included**
- W1: Motor cable (L=X[m])
 - W2: Drive-ClIQ cable (L=X[m])
 - W6: Coaxial Kistler cable
 - W7: Charge amplifier cable
- Optional**
- W10: Drive-ClIQ cable
 - W11: Drive-ClIQ cable

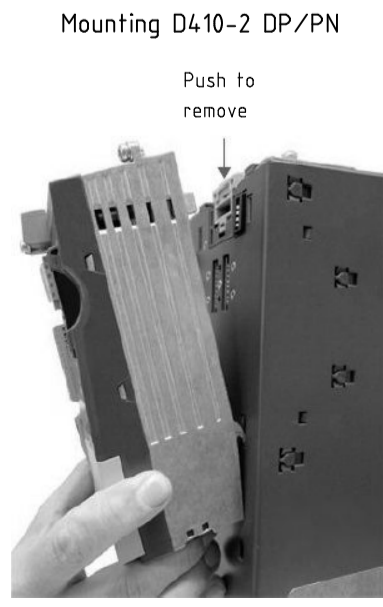
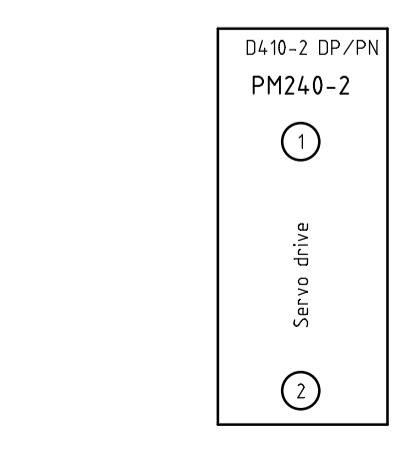
Press n°x
IP Address: 192.168.X.X

PLC
for example S7-1200

PC
Software MecaMotion to program the press



8 Implantation



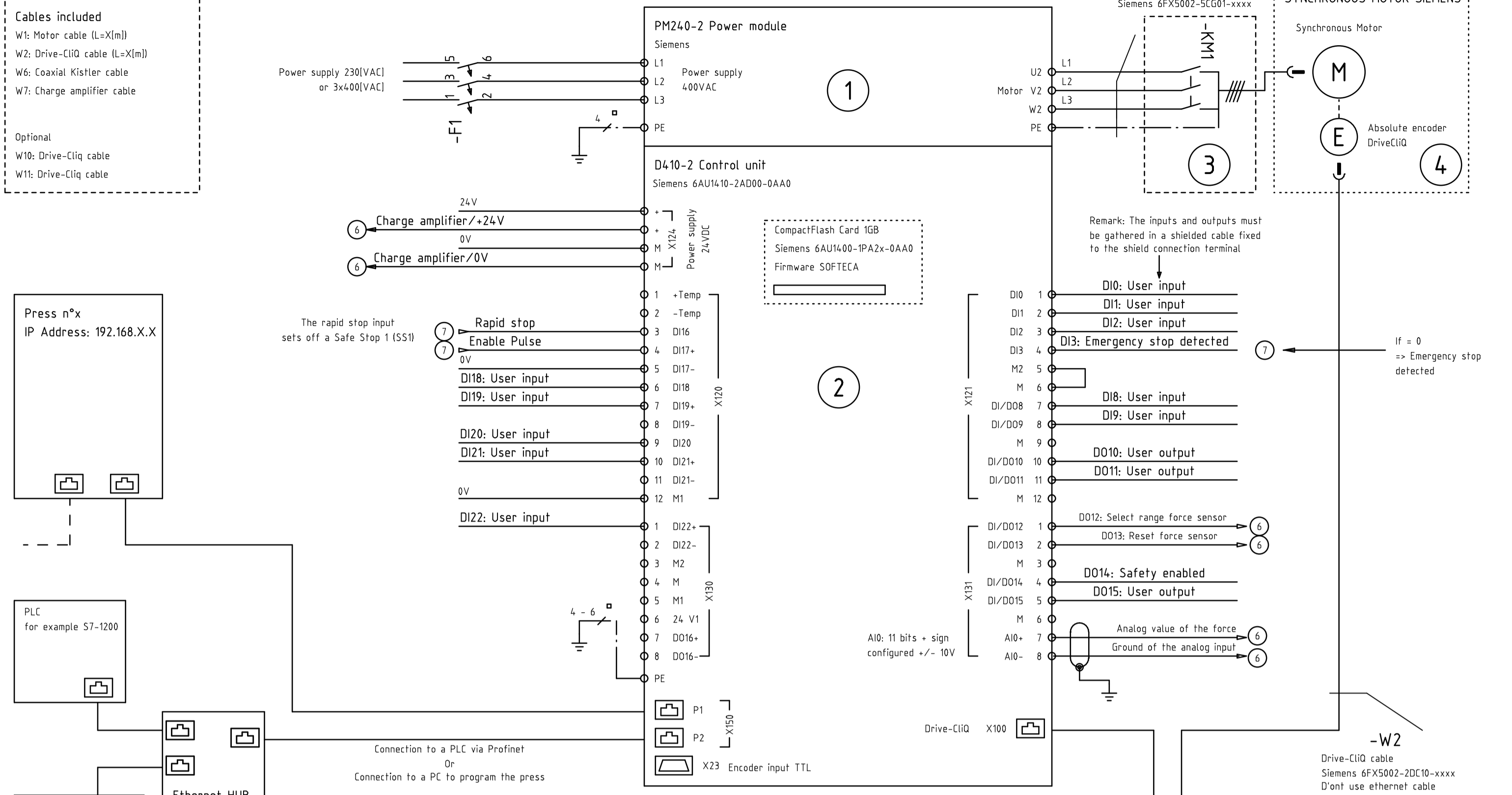
c	Date	31.01.2019
b	Treatise	Y. Rondot
a	Checked	
Modif	Date	Name

SOFTECA SA AUTOMATION

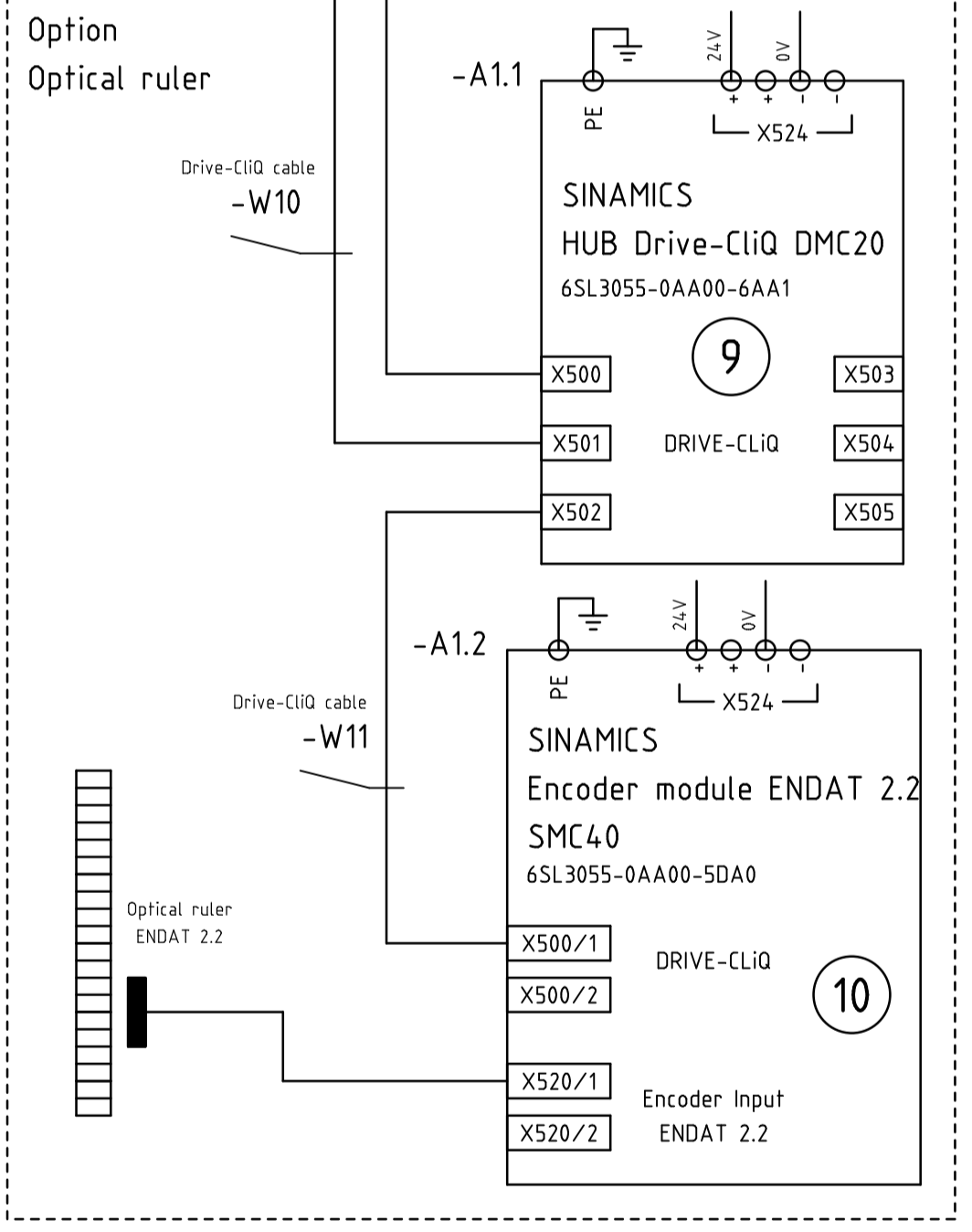
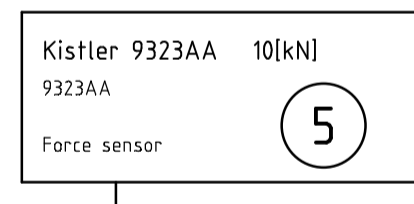
Universal Servo press Block Diagram

V07 Universal Press

Group 0 Electrical Diagram



Force sensor



7 Example of emergency stop: SIL3 Category

